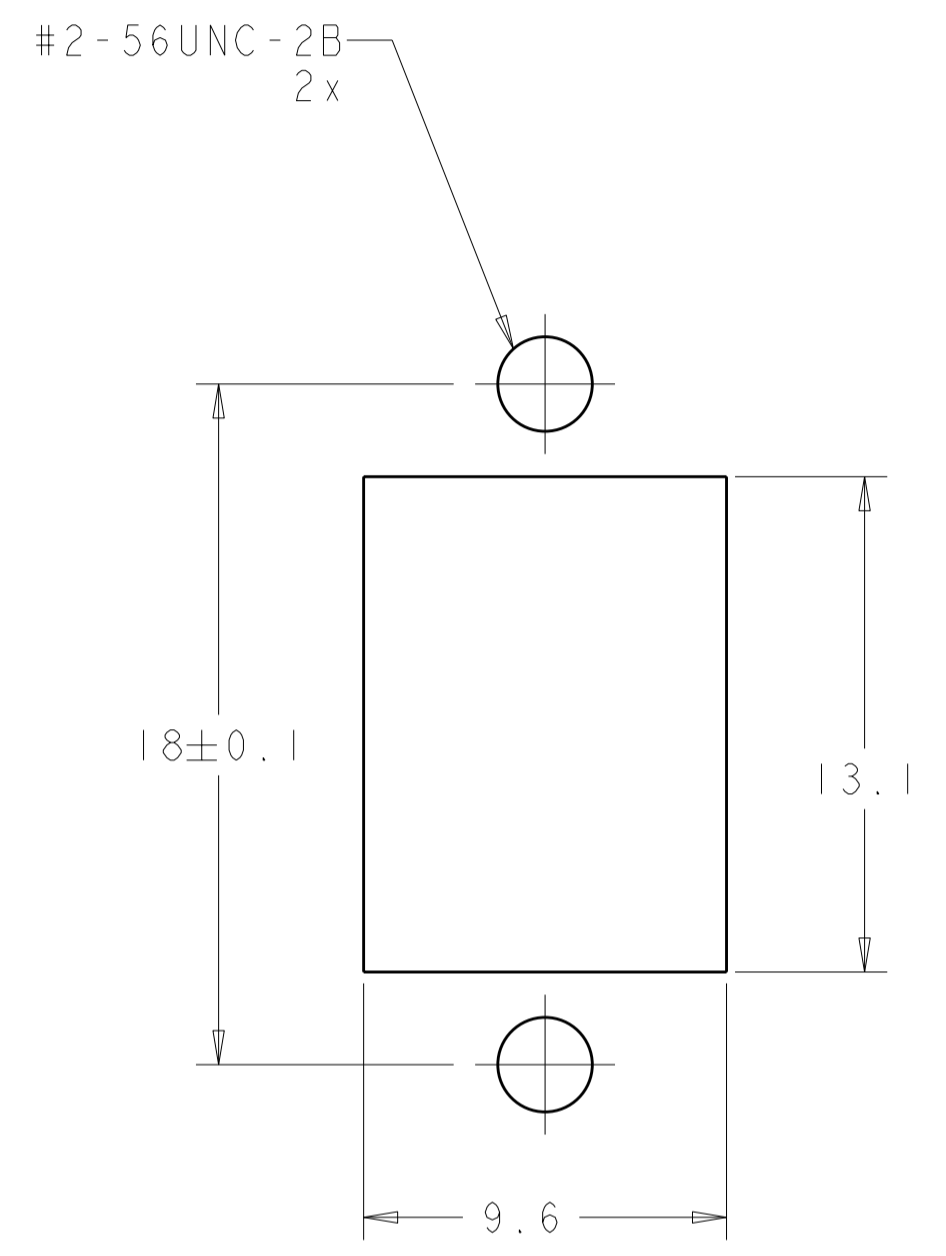
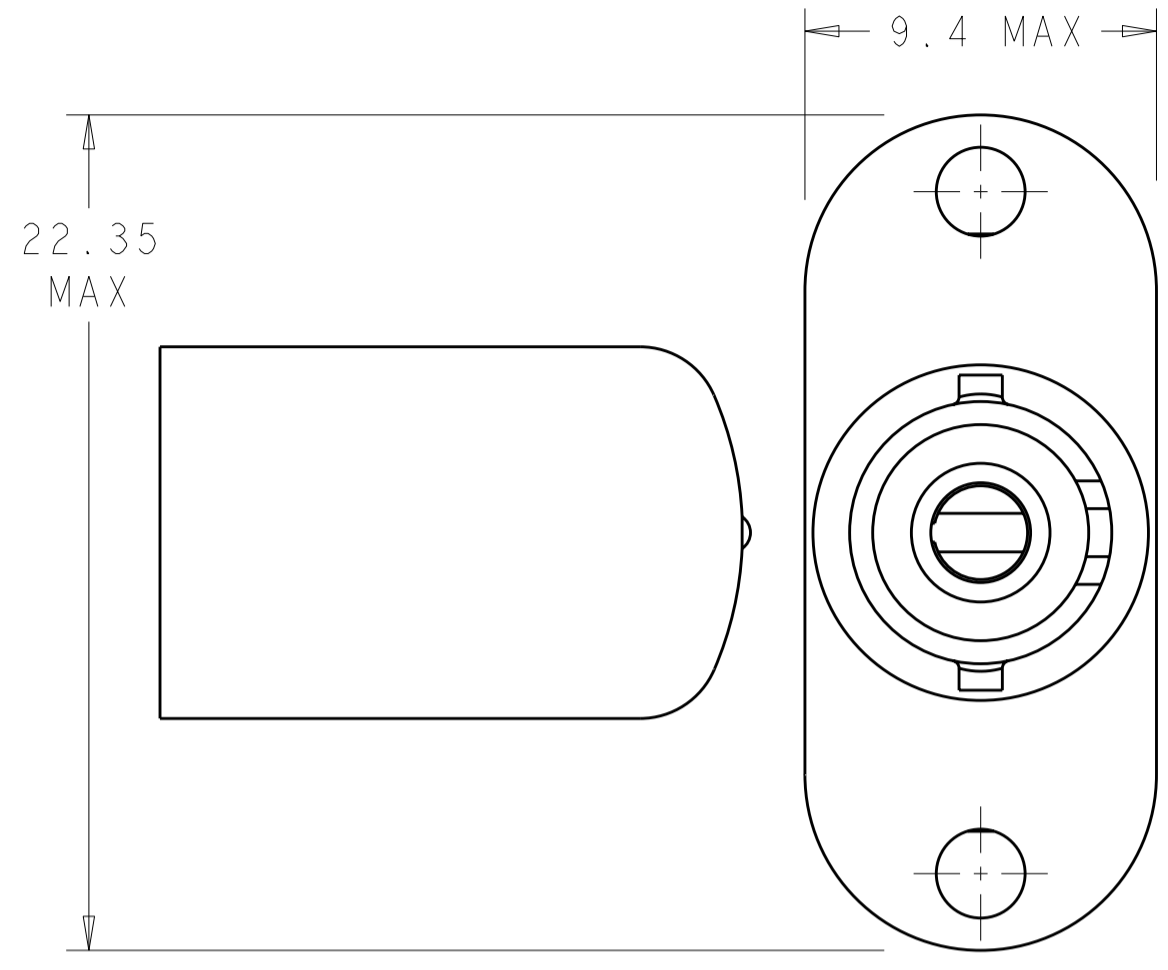
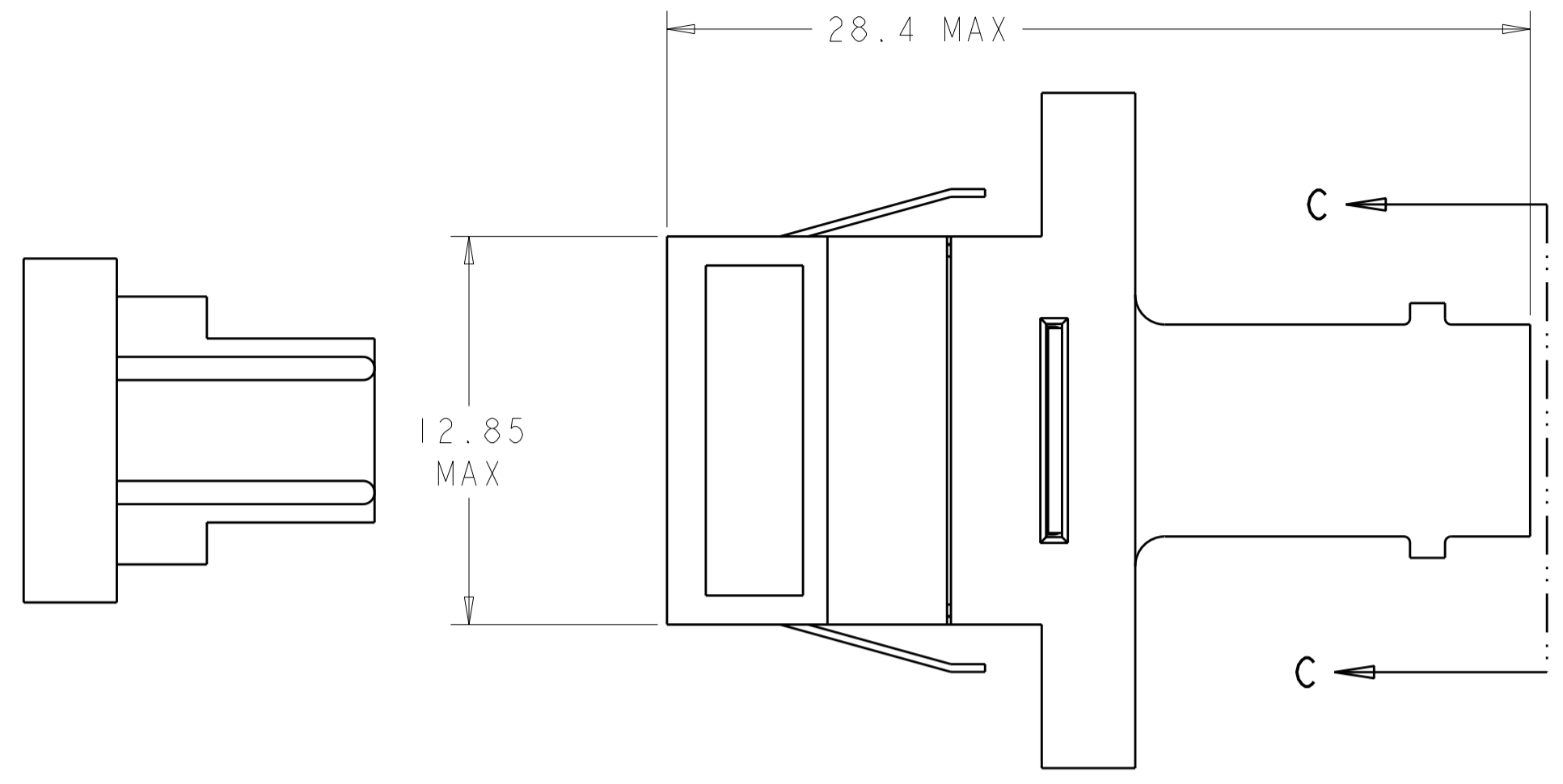


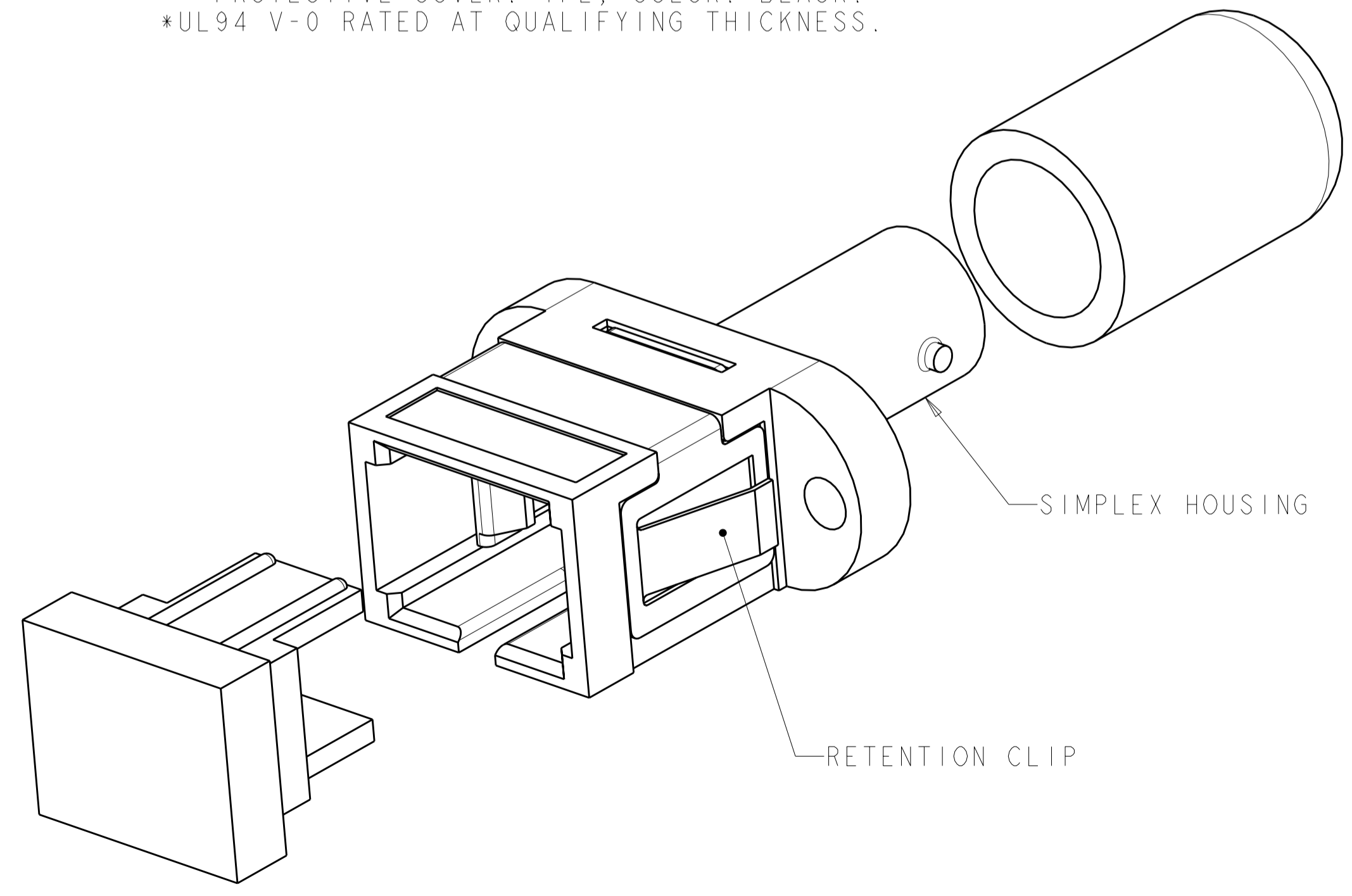
THIS DRAWING IS UNPUBLISHED. RELEASED FOR PUBLICATION 20
 © COPYRIGHT 20 BY TYCO ELECTRONICS CORPORATION. ALL RIGHTS RESERVED.

LOC CE DIST 00

REVISIONS					
P	LTR	DESCRIPTION	DATE	DWN	APVD
L		REVISE PER 0A00-0549-04	01NOV2004	BB	SM
M		REVISE PER ECR-05-008692	16AUG2005	BB	SM
N		REVISE PER ECR-08-000844	23JAN2008	BB	SM



MATERIAL:
 HOUSING: PBT-GF30, SEE DASH NUMBERS FOR COLOR.*
 RETAINER: PEI-GF30, COLOR: BLACK.*
 RETENTION CLIP: STAINLESS STEEL.
 ALIGNMENT SLEEVE: SEE DASH NUMBERS.
 PROTECTIVE CAP: VINYL.
 PROTECTIVE COVER: TPE, COLOR: BLACK.*
 *UL94 V-0 RATED AT QUALIFYING THICKNESS.



CERAMIC	BEIGE	502780-6
CERAMIC	BLUE	502780-5
CERAMIC	BLACK	502780-4
METAL	BEIGE	502780-3
METAL	BLUE	502780-2
METAL	BLACK	502780-1
ALIGNMENT SLEEVE	COLOR	PART NUMBER

THIS DRAWING IS A CONTROLLED DOCUMENT FOR TYCO ELECTRONICS CORPORATION. IT IS SUBJECT TO CHANGE AND THE CONTROLLING ENGINEERING ORGANIZATION SHOULD BE CONTACTED FOR THE LATEST REVISION.		DWN B. BRIGGS 01NOV2004	Tyco Electronics Harrisburg, PA 17105-3608	
DIMENSIONS: mm		CHK S. MILLER 01NOV2004	NAME RECEPTACLE ASSEMBLY, AMP SC TO BAYONET	
TOLERANCES UNLESS OTHERWISE SPECIFIED:		APVD S. BUCHTER 01NOV2004	SIZE A2	CAGE CODE 00779
0 PLC ±		PRODUCT SPEC -	DRAWING NO C-502780	RESTRICTED TO -
1 PLC ±0.1		APPLICATION SPEC -	SCALE 5:1 SHEET 1 OF 1 REV N	
2 PLC ±0.05		WEIGHT -	CUSTOMER DRAWING	
3 PLC ±				
4 PLC ±				
ANGLES ±				
FINISH -				